



New version of the DCG Actuator Control

Description

The old DCG actuator control is from May 2012 replaced by a new version. This document describes the differences between the old and the new control.



Old version



New version

For immediate assistance

E-mail: sales.scandinavia@thomsonlinear.com

Tel. Europe: +46 (0) 44 24 67 00

Tel. North America: 1-540-633-3549

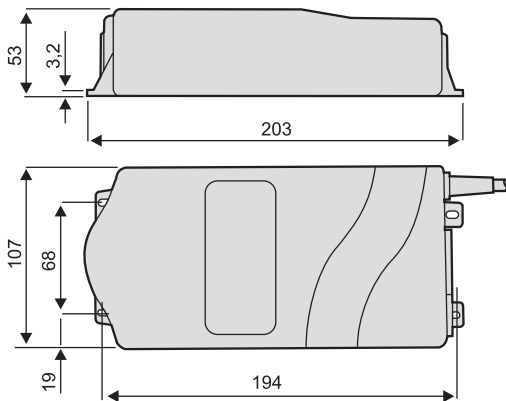
www.thomsonlinear.com

www.thomsonlinear.com

THOMSON

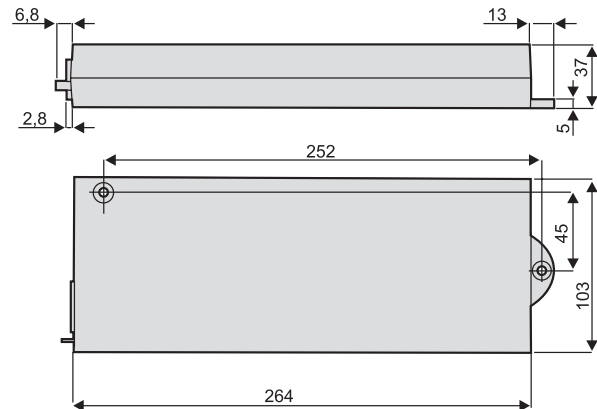
Linear Motion. Optimized.™

Old version



- Power supply cable molded into the housing
- Connection to protective earth (PE) not needed
- Actuator connector plug is of DIN-type.

New version



- Power supply cable included but plugged in to the control
- Connection to protective earth needed
- Actuator connector plug is of Molex type
- A Molex plug is included that can replace the old DIN plug on the actuator if needed
- Can be connected to up to 4 controls in serie
- Uses the same type of hand pendant as old version.

Specifications					
		Old version		New version	
Input voltage	[Vac]	1 × 230 ± 6%	1 × 115 ± 6%	1 × 230 ± 6%	1 × 115 ± 6%
Input frequency	[Hz]	50	60	50	60
Output voltage	[Vdc]	24		24	
Operating temperature limits	[°C]	+5 – +45		+0 – +30	
Max. duty cycle @ 25 °C	[%]	10		10	
Maximum on time	[s]	120		120	
Weight of control	[kg]	1.9		0.5	
Protection class		Class II (not for outdoor use)		Class I (not for outdoor use)	
Electronic limit switches ¹		yes		yes	
Included control pendant		no - ordered seperately		no - ordered seperately	
Certificates		CE	UL	CE	UL

¹ Electronic Limit Switches is a built-in current sensing function that stop the actuator at end of stroke or mid stroke over load.

Actuator / Control compatability		
Actuator models	Old control model	New control model
Electrak 1, Electrak 050	DCG-150	DCG-150
WhisperTrak™ - 2000 N models	-	DCG-152
WhisperTrak™ - 4000 N models	-	DCG-154
LM80-V	DCG-160	DCG-160
LM80-H	DCG-170	DCG-170
LM80-I, TC16	DCG-180	DCG-180
Electrak PPA-DC, Electrak 10, Electrak LA14, DMD	DGG-190	DCG-190
Synchronius operation of two LM80-I	DCG-260	DCG-260
Synchronius operation of two TC16	DCG-280	DCG-280