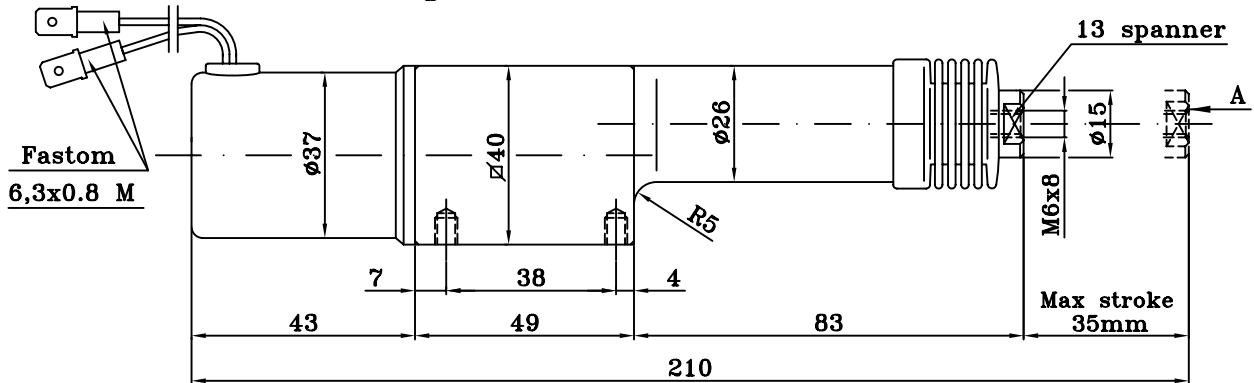
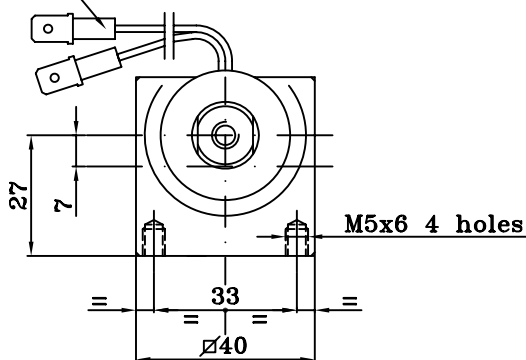


Electric piston model PE 40-35G



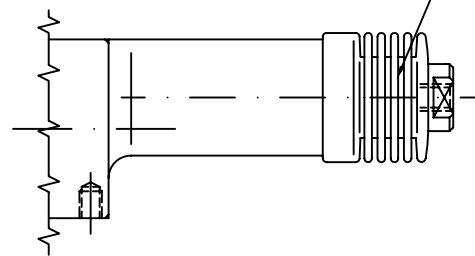
Length. ~200

VIEW FROM A



RUBBER DUST COVER

Spare part code: 4000009



Tolerances on the dimensions $\pm 0.8\text{mm}$

Electric piston model PE 40-35G technical specifications

Voltage	12 Vdc
Absorbed current without load	0,14 Amp.
Absorbed current with max load of 140N	0,66 Amp.
Voltage	24 Vdc
Absorbed current without load	0,07 Amp.
Absorbed current with max load of 140N	0,33 Amp.
Max stroke	35 mm
Max power	8 Watt
Max force of Traction/Thrust	140 N
Traversing speed without load	5,8 mm/sec
Traversing speed without load (type B)	11.6 mm/sec
Protection class	IP 65
Operating temperature	from -5°C to $+60^{\circ}\text{C}$
NOTE: A SPECIFIC REQUEST IS NEEDED FOR TEMPERATURES SUPERIOR TO -5°C	
Total weight	0,6 Kg
ED% duty	depends on: the operating temperature, load applied, work cycle and supply voltage.

The force indicated above refers to a single work cycle at a temperature of 20°C .
 The above data is strictly rated; a variation in any of the data leads to a consequent variation in all other data.
 System di Rosati reserves the right to make changes to the dimensions and characteristics described on this data sheet without prior notice.
 Requirements other than the above can be met upon request.